

URBANY®

CITY PROJECTS



UR 9

Fixing feet shaped as caps,
made of NYLON
glass loaded "FIBER GLASS".
Registered Community Design.

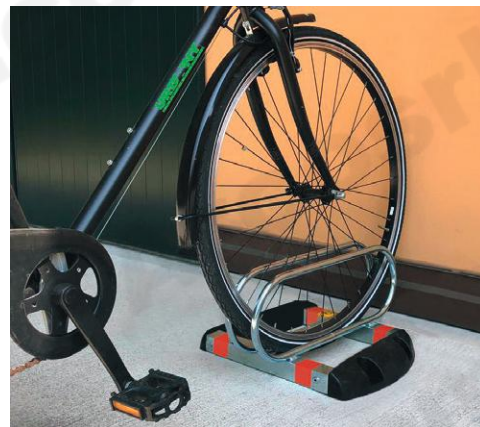
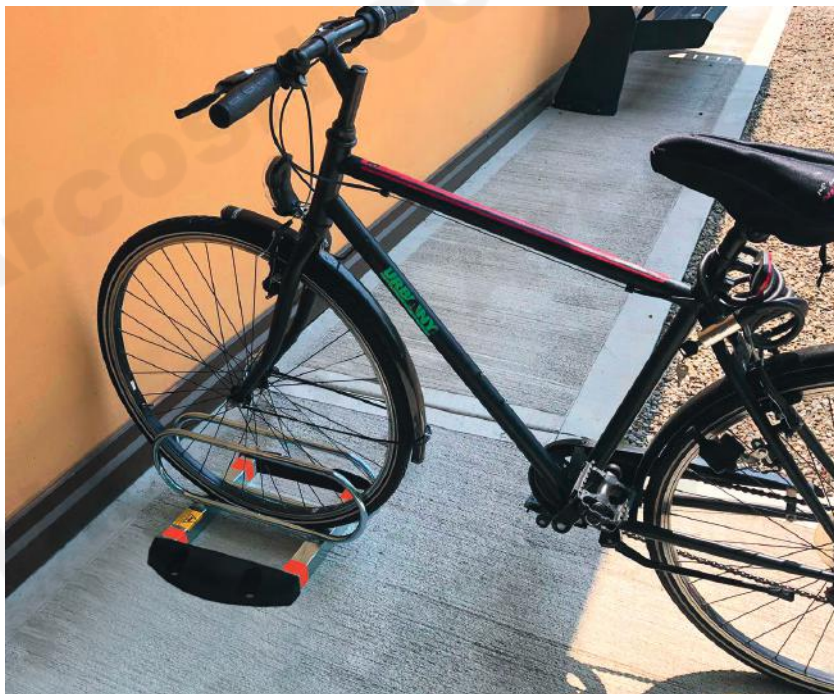
THE URBANY® PROJECT HAS BEEN CONCEIVED WITH THE INTENTION OF COMBINING DESIGN AND HIGH TECHNOLOGY WITH THE TRADITIONAL FUNCTIONAL CHARACTER OF THE PRODUCT.

CORE OF THIS EVOLUTION ARE THE ORIGINAL FIXING FEET WITH ROUNDED NICE SHAPES, MADE OF HI-TECH MATERIALS.

URBANY® IS UNIQUE AND UNMISTAKABLE.



BIKE RACKS 1 PLACE



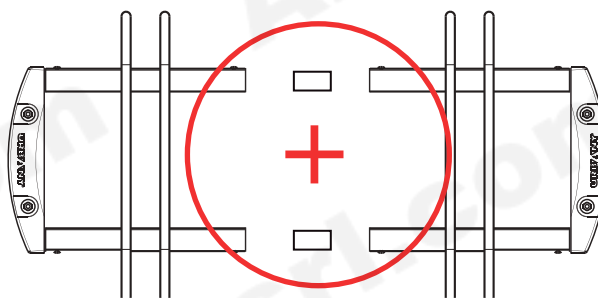
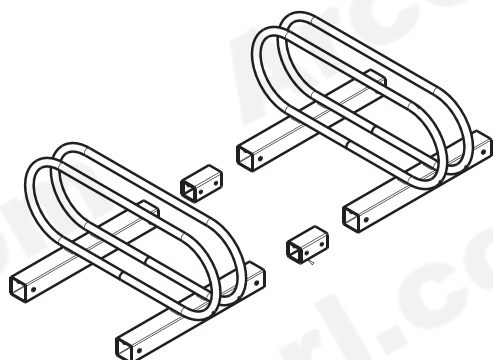
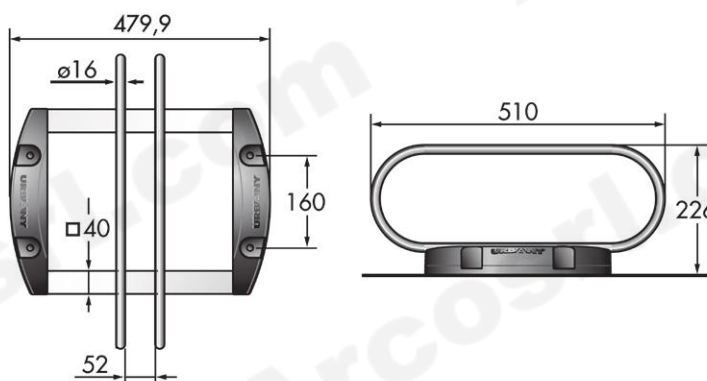
- Allows aligning bicycles on both sides.
- Treatment against corrosion: electric-zinc.
- Packing in single cardboard box or in bulk.
- Fitting: private area, closed to public transit.

FIXING SYSTEMS:

Screws + nylon anchors – **Cod. KIT.101** Brackets + breaking nuts – **Cod. KIT.111**



- Registered Community Design n°000395629-0001
- Fixing feet shaped as caps, made of NYLON glass loaded "FIBER GLASS", very resistant material.
- New refined design.
- Round shapes.



KIT.102 :

