

# URBANY®

CITY PROJECTS

by ARCO

**NEW**

THE URBANY® PROJECT HAS BEEN CONCEIVED WITH THE INTENTION OF COMBINING DESIGN AND HIGH TECHNOLOGY WITH THE TRADITIONAL FUNCTIONAL CHARACTER OF THE PRODUCT.

CORE OF THIS EVOLUTION ARE THE ORIGINAL FIXING FEET WITH ROUNDED NICE SHAPES, MADE OF HI-TECH MATERIALS.

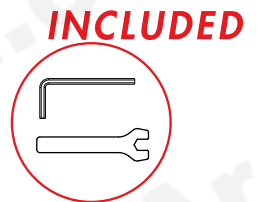
URBANY® IS UNIQUE AND UNMISTAKABLE.



Fixing feet shaped as caps, made of NYLON glass loaded "FIBER GLASS".

Registered Community Design. n°000395629-0001

**UR** 4 **KIT**



# BIKE RACK 6 PLACES ON TWO SIDES



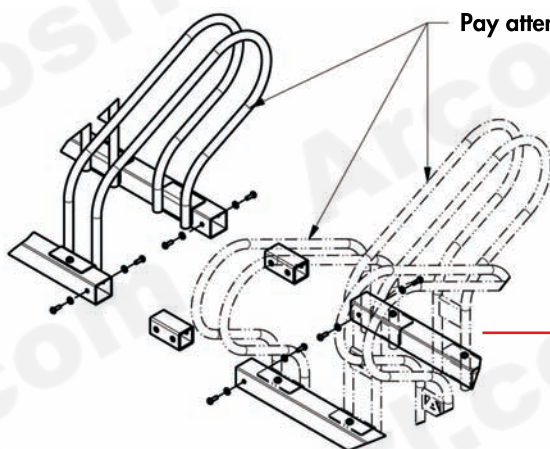
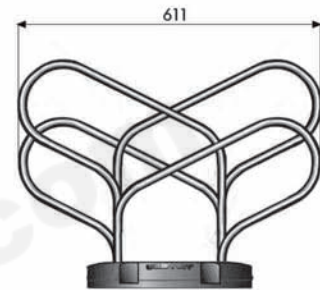
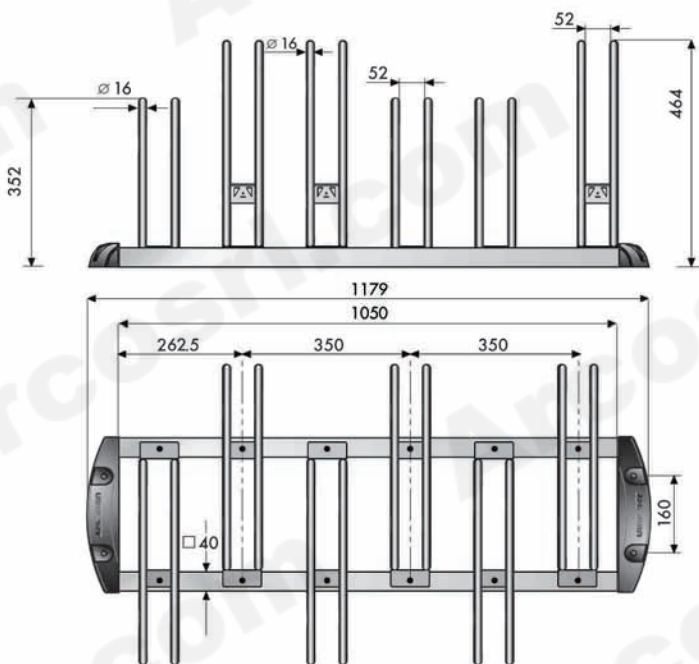
- Allows aligning bicycles on both sides
- Cycle places at staggered heights
- Treatment against corrosion: electric-zinc
- Packing in single cardboard box
- Fitting: private area, closed to public transit

## FIXING SYSTEMS:

a) Screws + nylon anchors  
KIT.101



b) Brackets + breaking nuts  
KIT.111



Pay attention to how the components are sequenced

## JOINTING KIT:

6 places

6 places

6 places

KIT.102 :



x2



x8

x8