

# ARS 330

# ARCO

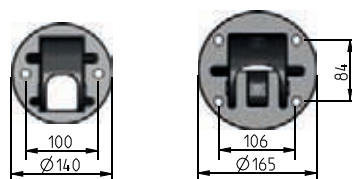
## ESSENTIAL

- > Car barrier for car space.
- > Use on a private area closed to public transit.
- > Frame made of steel tubes.
- > Dimensions 795 (925)mm x 199,8 mm x h 513,5 mm.
- > Tubes dimensions: middle round tube diam. 60 mm/side tubes diam. 40 mm.
- > Tubes thickness: 2 mm.
- > Plate thickness: 3 mm.
- > Weight: 15 kg.
- > Treatment against corrosion: hot galvanized.
- > Fixing feet made of hot galvanized cast iron – round shapes.
- > Base plate made of hot galvanized steel.
- > Upper closing cap made of stainless steel.
- > Locking system: European profile cylinder with 3 keys.
- > Automatic locking on manual return to the vertical position.
- > Fixing system: screws, nylon anchors, washers (included).
- > Packing: single carton.

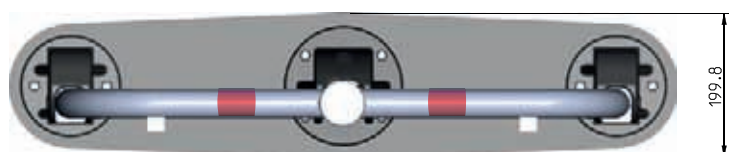
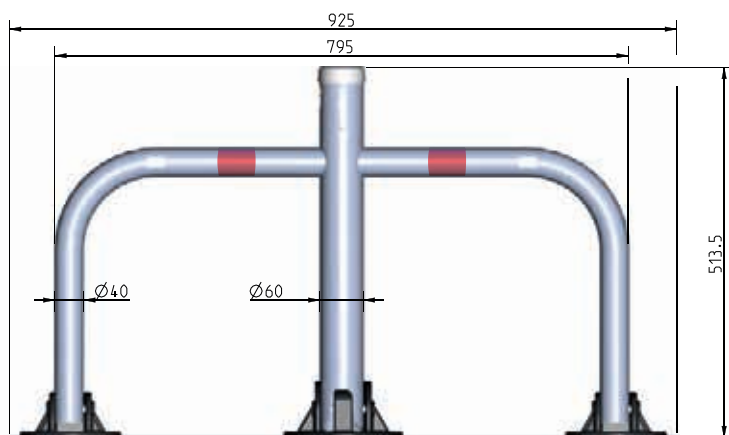


# ARCO

ESSENTIAL



ARS 330  
AK2 330



ARCO SRL – Via Andrea Costa 24/D – 40017 San Giovanni in Persiceto (BO) – Italy  
Tel +39 051 6810590 - 051 6810591 – info@arcosrl.com

ARCO s.r.l. reserves the right to amend specification without notification.  
Copyright Reserved. Designed by ARCO in Italy / Made in China